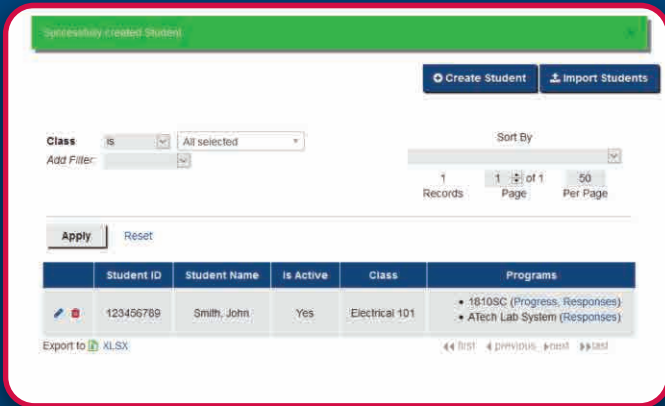
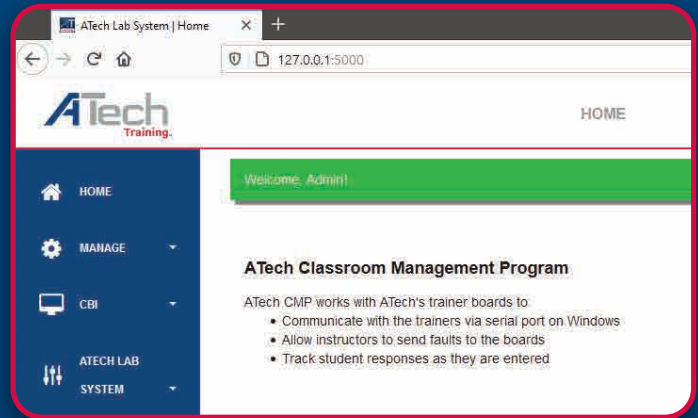
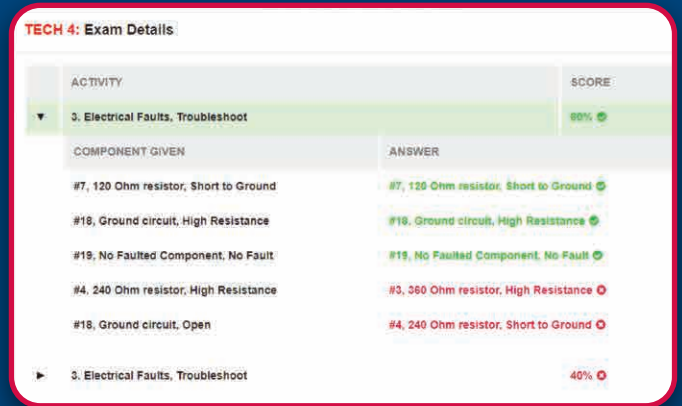


A Tech's CMP provides instructors the ability to easily manage their classroom of A Tech training equipment and Computer-Based Instruction software.

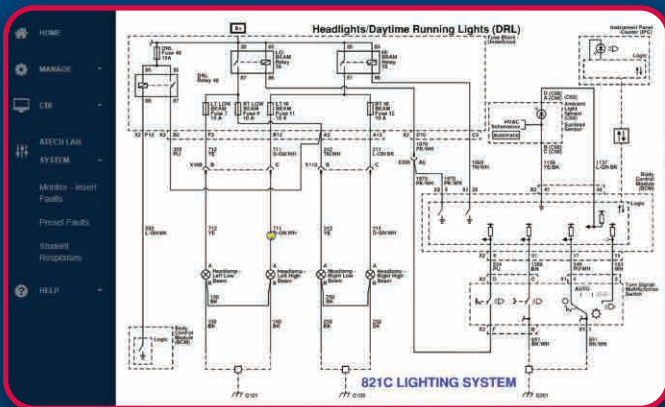
- Track Student Activities
- Hard & Intermittent Fault Insertion
- "Real time" Class Monitoring



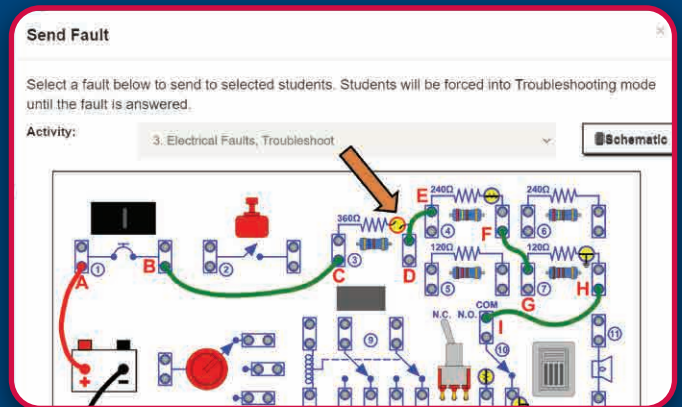
Control student access



View student performance



Wiring schematics



Insert troubleshooting faults

System Requirements:

- Windows 10 Professional or Enterprise
- Browser Interface (Chrome or Firefox)

