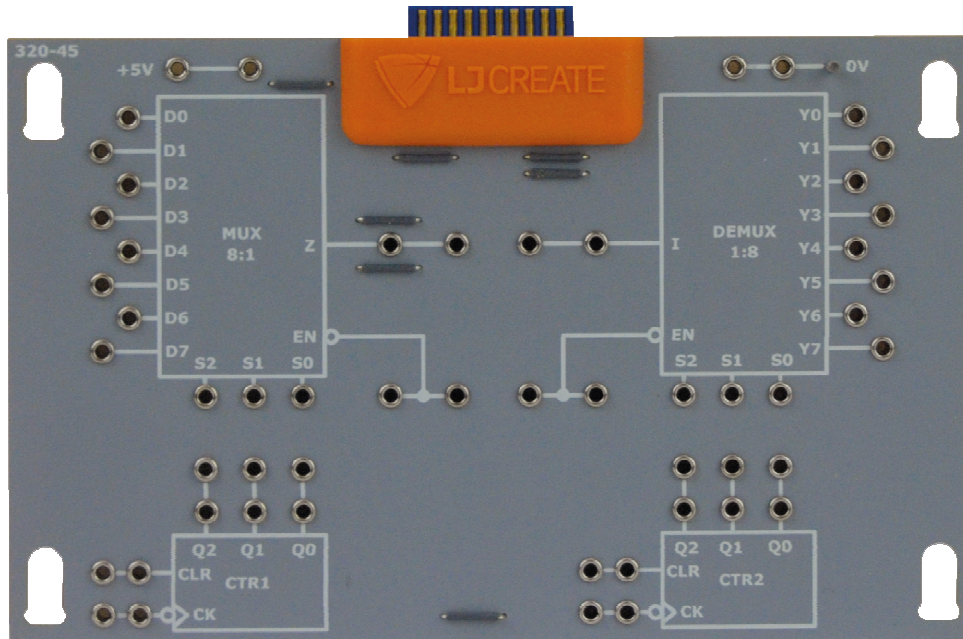


Product Information Sheet

320-45 Multiplexer / Demultiplexer Digital Systems



This practical resource introduces students to digital multiplexers and demultiplexers through a range of practical activities.

The card is designed for use with the 320-00 Electronics Study Trainer.

Practical activities based around this card are provided on the digital curriculum disk provided with the trainer.

The card may also be used with our optional cloud-based software. This contains theory presentations, investigations, and assessments, which link directly to the practical activities carried out using this resource.

The Card Includes the Following:

- 8:1 digital multiplexer
- 1:8 digital demultiplexer
- Two 3-bit binary counters
- Switched faults for fault-finding activities

Practical Tasks Include the Following:

- Investigating a digital multiplexer
- Scanning multiplexer inputs using a binary counter
- Building and testing a multiplexer/demultiplexer system
- Clocking and synchronization
- Fault-finding multiplexer/demultiplexer systems

Items Included:

- Circuit Card

Other Items Required:

- 320-00 Electronics Study Trainer
- Digital Multimeter (DM1 or similar)

General Information:

Card Dimensions:
160 x 100 x 20 mm (W, H, D)

Packaging:
Orders for multiple 320-series cards are shipped in storage boxes.

Shipping Volume:
Single card: 0.001 m³
Storage box: 0.015 m³

Shipping Weight:
Single card: 0.2 kg
Storage box: 0.5 kg

Please contact LJ Create for estimated shipping volume and weight for your specific order requirements.

Order Code: 320-45

P9009-B

For more information visit www.ljcreate.com